

# TC SERIES

Compact High Resolution Ink Jet Printer



[www.ale.fr](http://www.ale.fr)

### 3 Models

- TC18 mm
- TC54 mm
- TC72 mm 35 or 80 pL

*Available for porous or non-porous substrates*

### Main Specifications

- Side printing on porous or non-porous substrates
- Up to 120m/min depending on model and resolution
- Printing resolution up to 360 dpi
- Priming button and ink low built-in
- Easy installation
- Low annual maintenance
- Industrial and robust design



# TC SERIES

## Compact High Resolution Ink Jet Printer

### Advanced Specifications

- Print characters from 0.7 to 72mm (depending on type used)
- Printing text / logos / images / barcodes / date / time / variable data / etc ...
- Side printing on all types of porous or non-porous substrates (depending on the type of ink)
- Compatible with J & Master Series controllers
- Cable connecting the controller to the print-head of 1.8m (up to 10m on demand)
- Industrial design compact and robust
- Easy installation and low annual maintenance
- Supplied with cable and mounting accessories

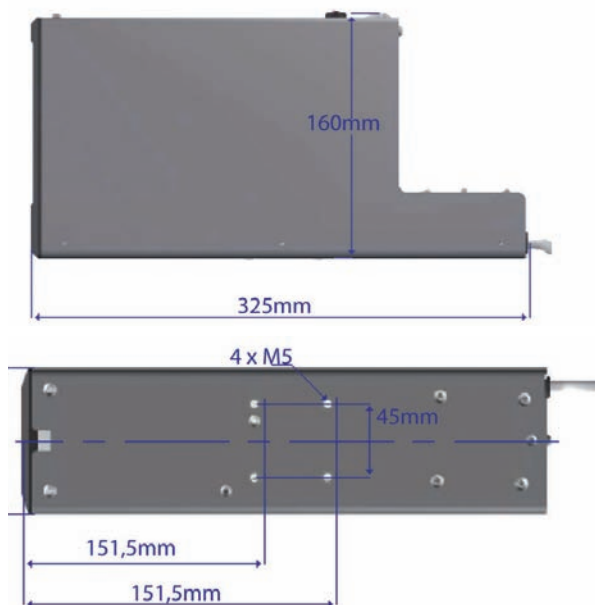
### Applications

*Printing on paper / cardboard porous or varnished / wood / polystyrene / building materials / plastics / fabrics / straps / etc...*



Type	TC 18	TC 54	TC 72-35pL	TC 72-80pL
Printing height	18 mm	54 mm	72 mm	72 mm
Printing speed	42 m/min	50 m/min	60 m/min	38 m/min
Oil based inks	✓	✓	✓	✓
Solvent based inks	✓	✓	✗	✓
Drop size	80 pL	60 pL	35 pL	80 pL
Resolution	360 dpi	360 dpi	360 dpi	360 dpi
Printing frequency	4.8 kHz	6 kHz	7.1 kHz	4.3 kHz
Height lower dot	34 mm	42 mm	50 mm	50 mm
Weight	3,1 kg	3,3 kg	3,3 kg	3,3 kg

### Dimensions :



your contact :